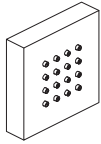
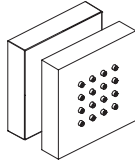


# AQUAELITE

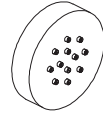
---



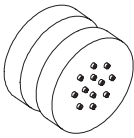
Art. BJ 001A



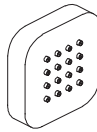
Art. BJ 001B



Art. BJ 002A



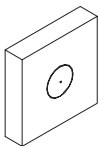
Art. BJ 002B



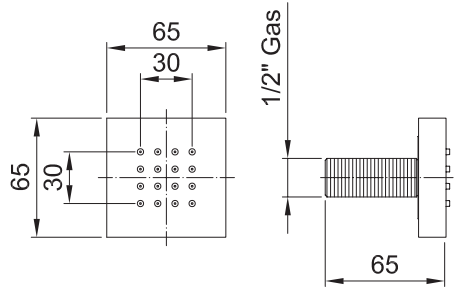
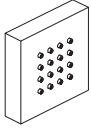
Art. BJ 003A



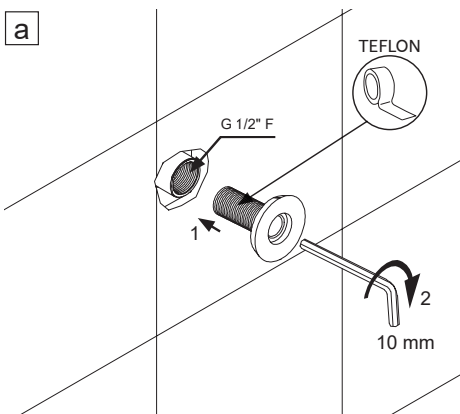
Art. BJ 004A



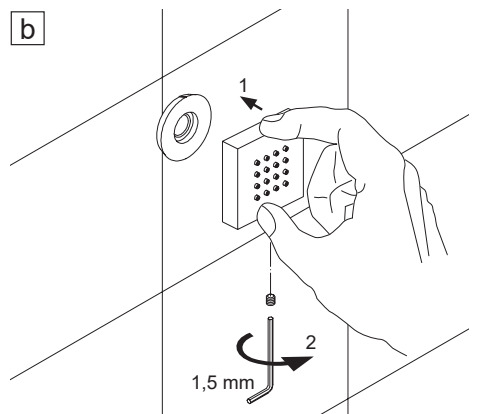
Art. BJ 005A



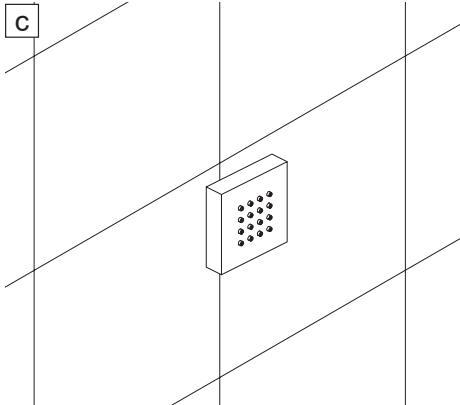
a

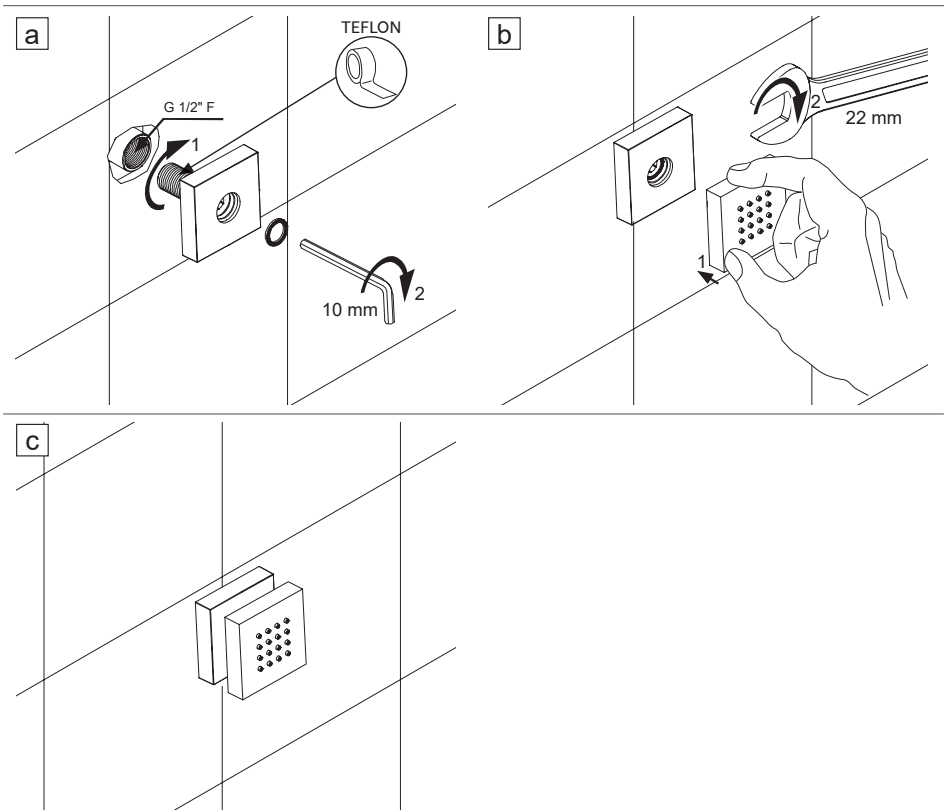
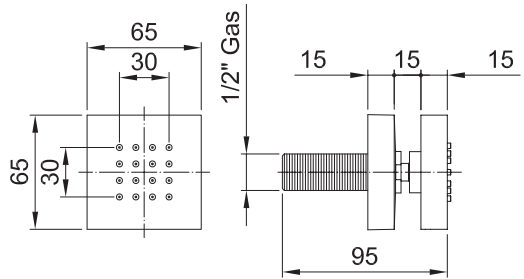
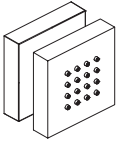


b



c

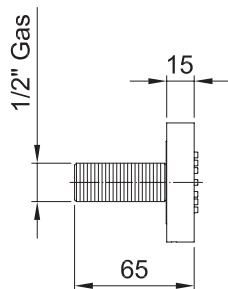
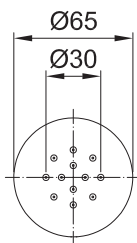
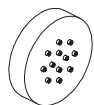




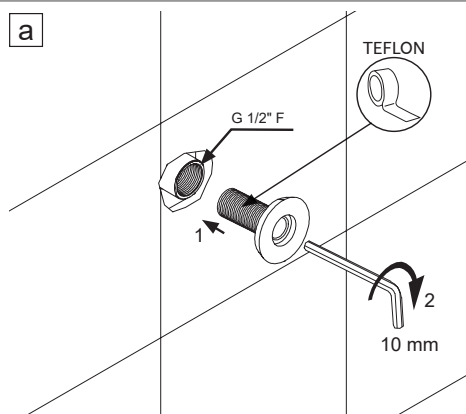
3

SCHEMA IMPIANTO IDRAULICO

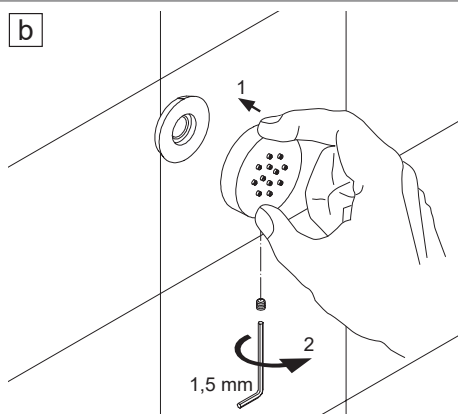
Hydraulic system layout / Schéma d'installation hydraulique



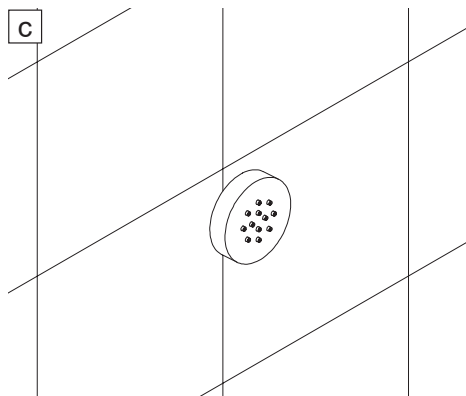
a



b

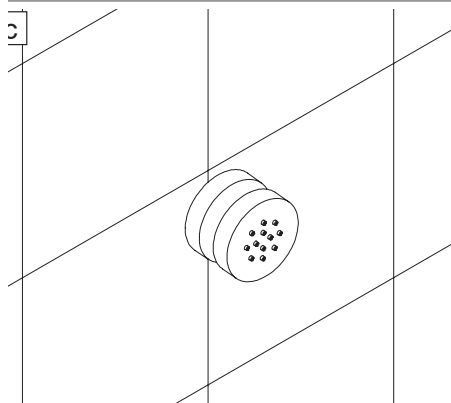
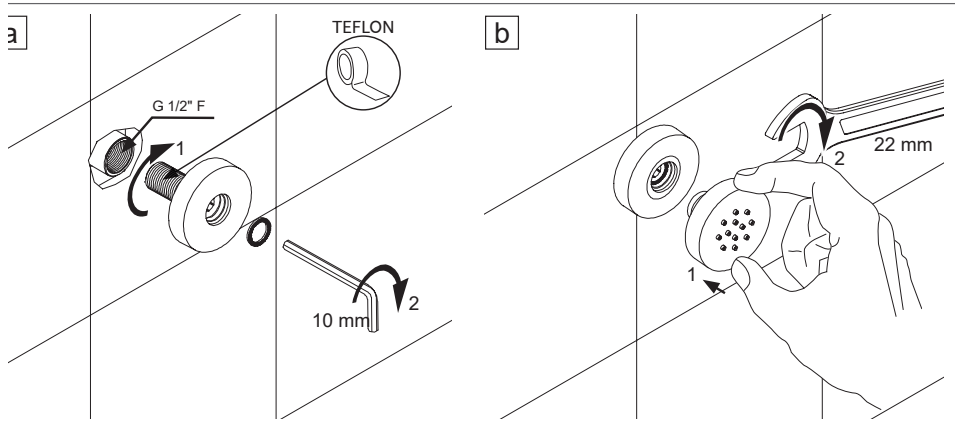
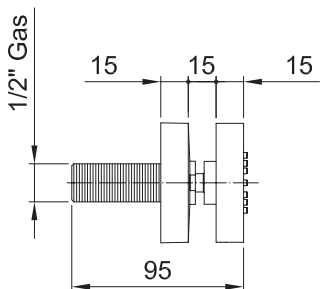
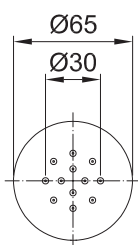
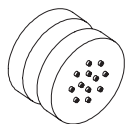


c



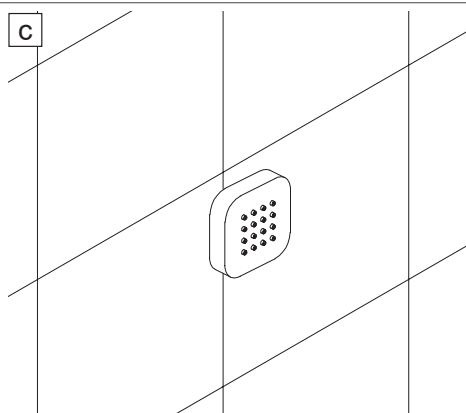
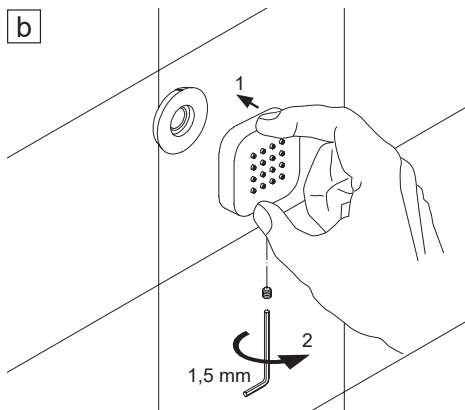
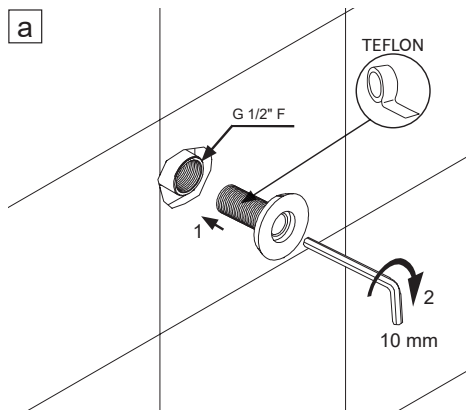
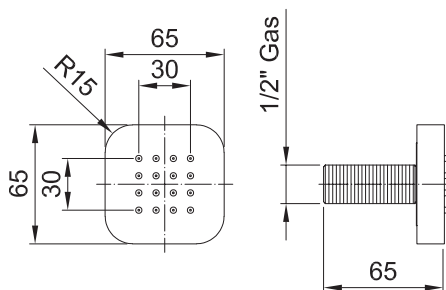
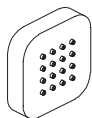
# SCHEMA IMPIANTO IDRAULICO

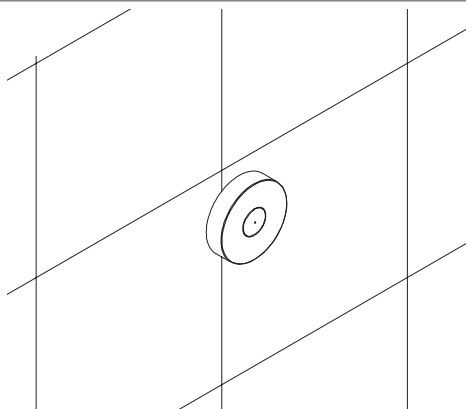
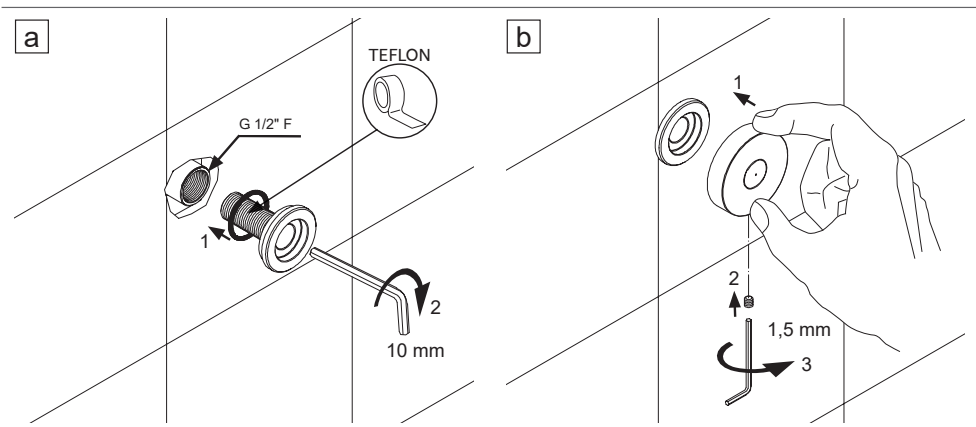
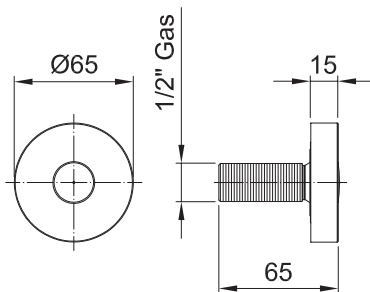
Hydraulic system layout / Schéma d'installation hydraulique

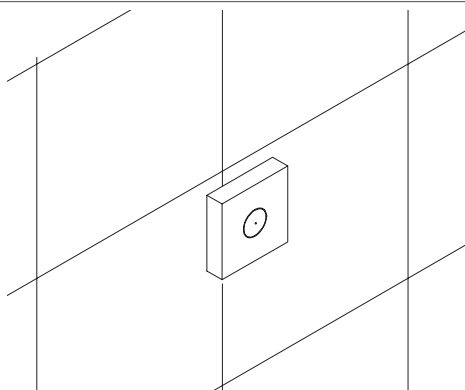
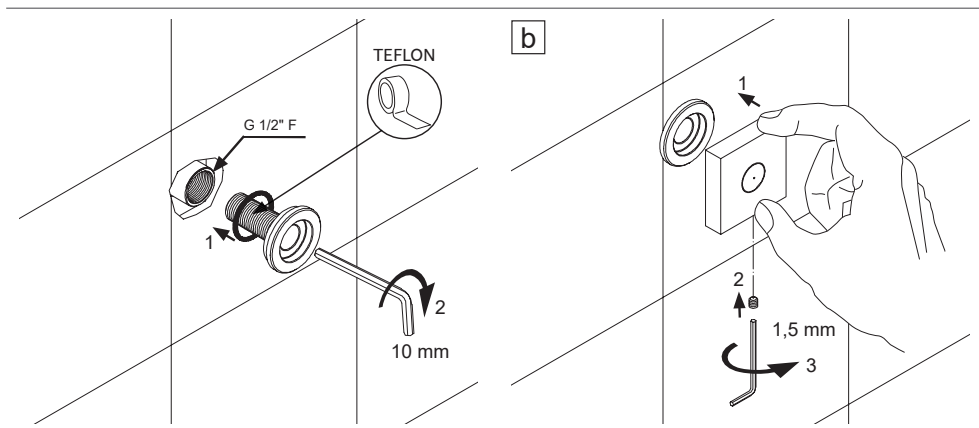
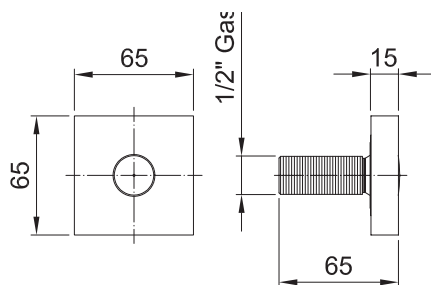
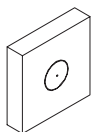


PRELIMINARI

Pre-installations / Informations pré-équipement









NOTE

*Notes / Note*

NOTE

*Notes / Note*



# AQUAELITE

---

AQUAELITE / ANPA S.R.L.  
Via Dello Sport, 16/18  
2106 Gavirate (VA) - Italy

+39 0322 732 906  
[www.aquaelite.it](http://www.aquaelite.it)  
[info@aquaelite.it](mailto:info@aquaelite.it)